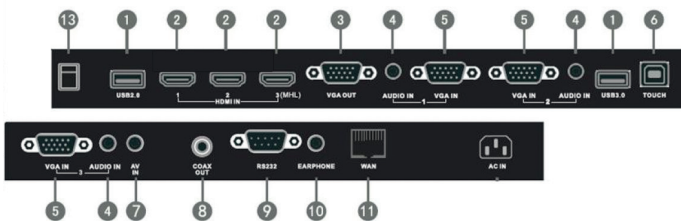


RP750 Interactive Flat Panel



Input and Output Terminals



No.	Name	Description
1	USB	Connect USB devices such as mobile hard disk, U disk, USB keyboard and mouse, USB drivers, etc
2	HDMI IN	High-definition multimedia interface signal input, connect to PC (personal computer) with HDMI output, set-top box, or other video device. Touch signal is also supported. HDMI 3 input supports MHL
3	VGA OUT	Connect to display devices with VGA input
4	AUDIO IN	External computer audio input
5	VGA IN	External computer image input
6	TOUCH	RP750 has default touch screen. To make external computer touch controlled: the driver should be installed, connect VGA and audio signal of external computer, also connect USB port of external computer to the RP750. (Default touch function works with PC, VGA and HDMI inputs)
7	AV IN	Composite video and audio input
8	COAX OUT	Coaxial output
9	RS232	Serial interface, used for mutual transfer of data between devices
10	EARPHONE	Connect to device with headphone input
11	WAN	Wan interface, connect RJ45 terminals. (Only for Android)

Features

- Up to 20-point Multi-touch Interactivity
- Touch Driver Free & Multi-platform Support
- Built-in Android OS
- Built-in Smart Annotation Tool NFCPen & EZWrite Software
- Anti-Glare / Low Blue Light / Flicker free / Anti-bacteria Glass
- Touch OSD Menu



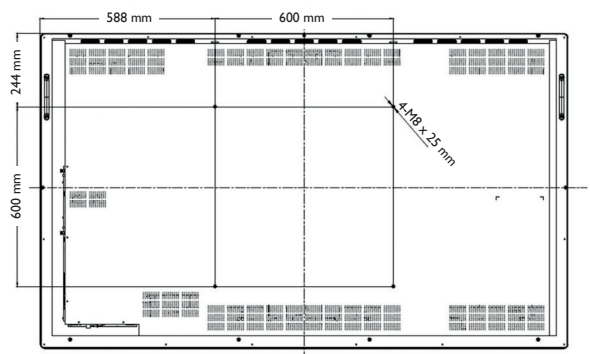
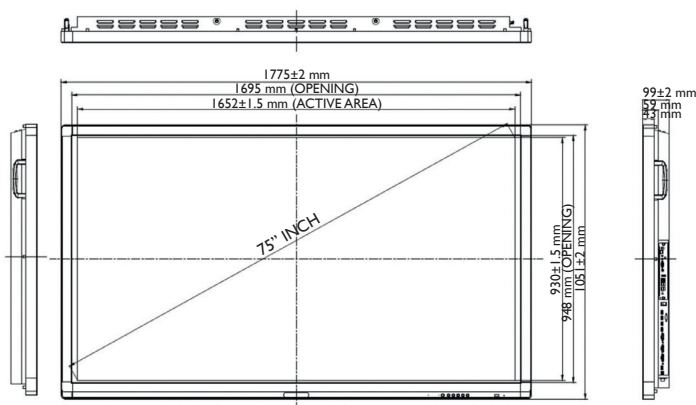
Because it matters

Product Specifications

Panel	Screen Diagonal	75"	
	Backlight	LED	
	Resolution	1920 x 1080	
	Aspect Ratio	16 : 9	
	Brightness	400 nits	
	Contrast Ratio	5000 : 1	
	Viewing Angle	178° / 178°	
	Color Gamut (x% NTSC)	72%	
	Frame Rate	120Hz	
	Response Time	6ms	
	Panel Bit	8-bit	
	Light Life	50,000 hrs	
	Touch Solution	Orientation	Landscape
Touch Technology		IR	
Number of touches		Multi-touch up to 20 touches	
Touch Interface		USB x 1	
Cover Glass	Resolution	32767 x 32767	
	Thickness	Tempered, 4 mm	
	Hardness	7H	
Speaker	AG Coating	80%	
	Built-in speaker	10W x 2	
Interface	Input	Power (AC) inlet	x 1
		Audio line-in	x 3
		Composite video	x 1
		Composite audio	x 1
		D-sub	x 3
		Type A HDMI	x 3
		Type A (USB Playback)	x 4
		RS232	x 1
		LAN	x 1
	Output	D-sub	x 1
		Earphone	x 1
		COAX	x 1
	Others	NFC Reader / Writer	x 1
		IR receiver	x 1
	Mechanical	Dimensions (W x H x D) (without packing / with packing)	1775 x 1051 x 99 mm / 1913 x 1225 x 280 mm
		Net Weight / Gross Weight	85kg / 105kg
	Power	Power Supply	AC 100 to 240V, 50 to 60 Hz
		Power Consumption	297W
	OSD	On-Screen Display Languages	EN / EF / SP / EP / CN / TC / GM / DT / PL / RS / CZ / DN / SW / IT / RM / FN / NG / GK / TK / AB / JP (21 Languages)
Accessories	Standard	Remote Control w/ Battery	x 1
		Power Cord (by region)	x 4
		Touch pen (NFC)	x 2
		Quick Start Guide	x 1
		Audio cable	x 1
		Touch cable (USB to USB)	x 1
		VGA (D-sub 15pin) cable	x 1

Product Specifications

Wallmount



BenQ Europe B.V.

Meerenakkerweg 1-17
5652 AR Eindhoven
The Netherlands
Tel: +31 88 8889200
Fax: +31 88 8889299

© 2016 BenQ Corp. Specifications may vary by region, please visit your local stores for details. Actual product's features and specifications are subject to change without notice. This material may include corporate names and trademarks of third parties which are the properties of the third parties respectively.

BenQ

Because it matters